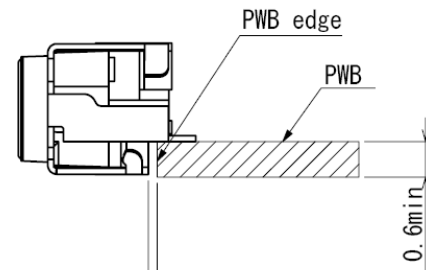
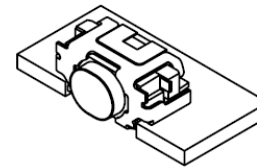
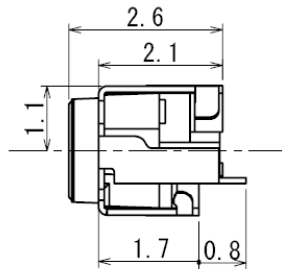
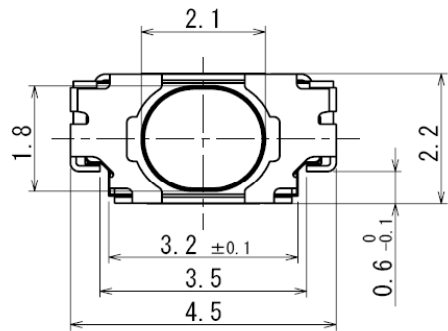
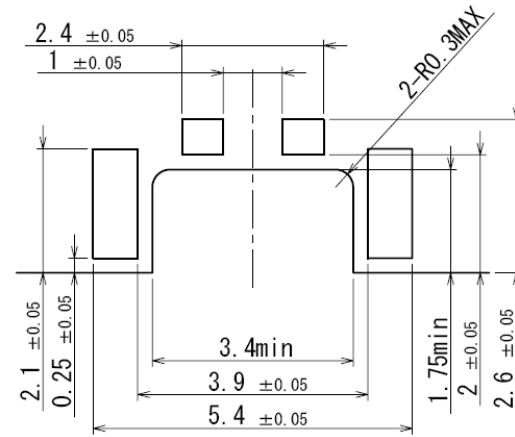
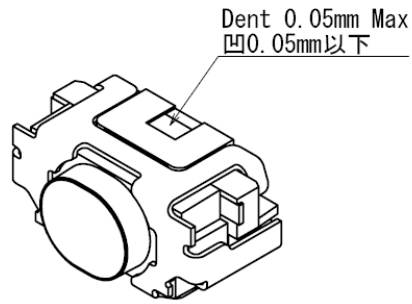
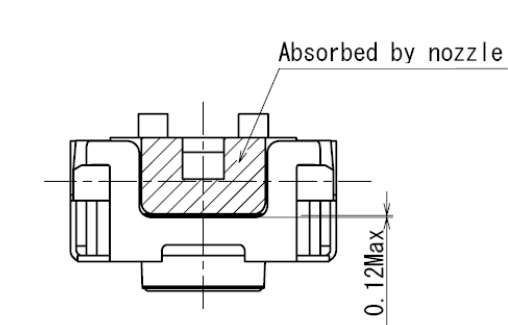
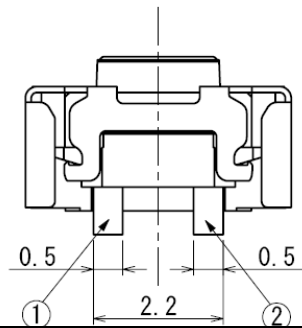
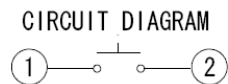


PRINTED CIRCUIT BOARD
MOUNTING PATTERN DIMENSION (10:1)
(WHEN VIEWED FROM THE SWITCH MOUNTING FACE)



Mount position: within 0.15mm from PWB edge



TOLERANCES UNLESS OTHERWISE	
$L \leq 10$	± 0.4
$10 < L < 100$	± 0.5
$100 \leq$	± 0.7
ANGULAR	$\pm 5^\circ$

NOTE 1. TAPING SPECIFICATION TO BE ACCORDANCE WITH TSL-901.

